



Fig.425 Pressure Reducing Valve

FEATURES & BENEFITS

- PRV's enable control of pressure from boosted cold water supplies to match site requirements
- Simple to install
- Features an integral strainer preventing debris from affecting valve performance
- Recommend that isolation valves are fitted upstream and downstream of the valve to enable isolation for cleaning of strainer
- Manufactured generally in accordance with BS EN 1567
- Easy access for measuring the outlet pressure
- Includes male union tail-pieces, plugs for bosses and gaskets for temperature gauge
- Pressure gauge is required for each installed valve and should be ordered separately



Fig.425

MATERIALS

Component	Material	Specification
Body	Bronze	CC499K
Internal Parts	Bronze	CC499K
	Brass	CW614N
	Stainless Steel	SS316
Spring	Spring Steel	
Strainer	Stainless Steel	SS304

DIMENSIONS & WEIGHTS

Size (inch)	A (mm)	B (mm)	C (mm)	c (mm)	Weight (kg)
1/2	142	80	102	33	1.2
3/4	158	90	102	33	1.3
1	180	100	130	45	2.4
1 1/4	193	105	130	45	2.6
1 1/2	226	130	165	70	5.5
2	252	140	165	70	6

MAX FLOW

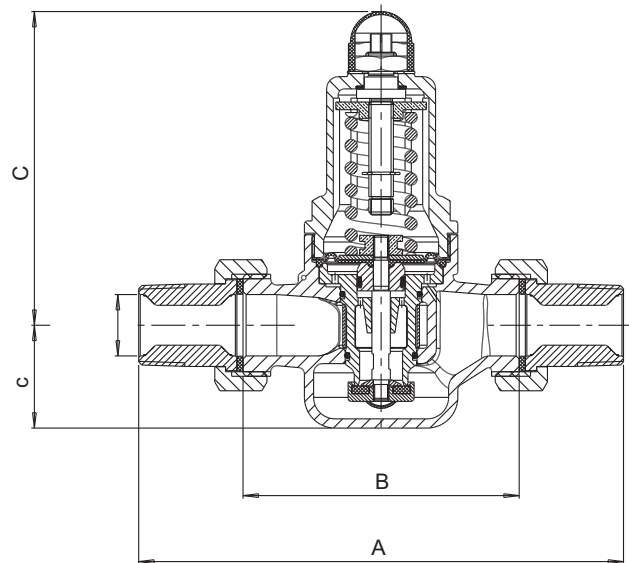
Size (inch)	1/2	3/4	1	1 1/4	1 1/2	2
Max. Capacity (l/s)	1.96	2.52	4.48	5.04	8.4	9.8

PRESSURE GAUGE

Pressure gauge used to measure outlet pressure; available with axial or vertical G 1/4" threaded connection



DIMENSIONAL DRAWING



PRESSURE RATING PN25 **TEMPERATURE RATING** Max. 80°C **MEDIUM** Water Only

CONNECTIONS Male tapered BS EN 10226-2 **OUTLET PRESSURE RANGE** 1-8 bar

PRE-SET OUTLET PRESSURE 3 bar **DESIGN STANDARD** General conformity to BS EN 1567

APPROVALS: WRAS • PED 97/23/EC **MESH SIZE:** 1/2" - 1 1/4" - 0.60mm • 1 1/2" - 2" - 0.75mm



PO BOX 719, IPSWICH, IP1 9DU
HOME SALES: +44 (0)1744 458670
EXPORT SALES: +44 (0)1744 458671
TECHNICAL HELPLINE: 0845 604 1790

FAX: +44 (0)1744 26912
EMAIL: uksales@hattersley.com
EMAIL: export@hattersley.com
www.hattersley.com

Every effort has been made to ensure that the information contained in this publication is accurate at the time of publishing. Hattersley assumes no responsibility or liability for typographical errors or omissions or for any misinterpretation of the information within the publication and reserves the right to change without notice.